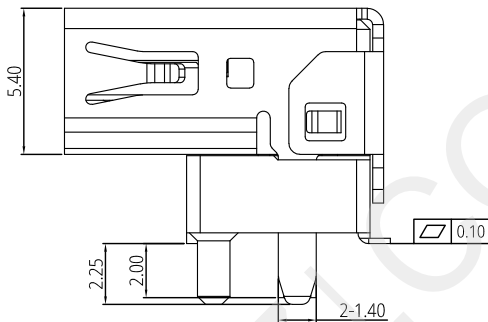
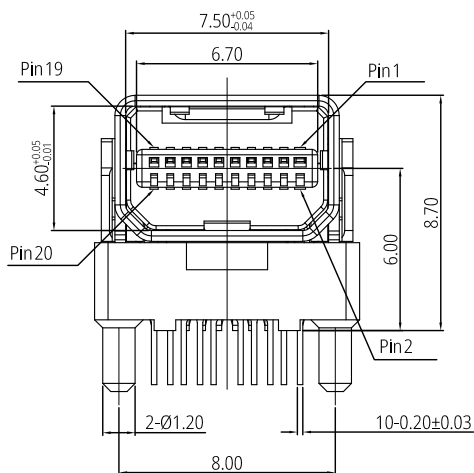


3D View

Mini DisplayPort Connector Pin Assignment

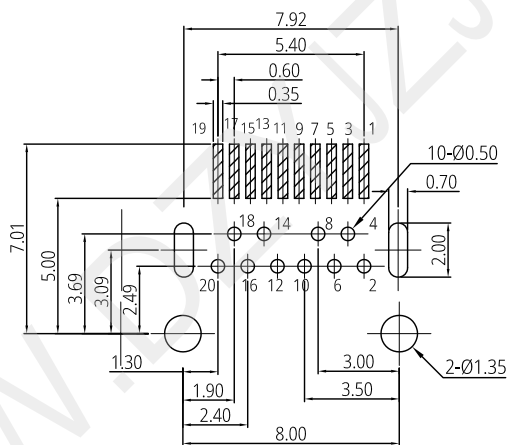
Pin Number	Signal Assignment	Pin Number	Signal Assignment
1	GND	2	In
3	Out	4	CONFIG
5	Out	6	CONFIG
7	GND	8	GND
9	Out	10	Out
11	Out	12	Out
13	GND	14	GND
15	Out	16	I/O
17	Out	18	I/O
19	GND	20	PWR Out



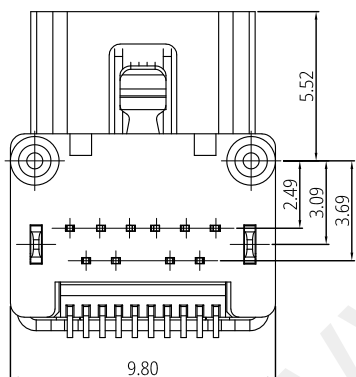
Notes:

- Material Specification:
  - Housing: LCP+30% G.F UL94 V-0 Black.
  - Contact: Copper Alloy (C2680) T=0.20mm.
  - Shell: Stainless Steel (SUS304) T=0.40mm.
- Plating Specification:
  - Contact: see P/N.
  - Shell: Nickel plated.
- Mechanical Performance:
  - Insertion force: 44.1N (4.5kgf) max.
  - Withdrawal force: 9.8N~39.2(1.0~4.0kgf).
  - Durability: 5,000 cycles.
- Electrical Performance:
  - Current rating: 0.5A.
  - LLCR: Contact: 30mΩ max.(initial), Shell: 50mΩ max(initial).
  - Insulation Resistance:
    - unmated: 100MΩ min. at 500V DC.
    - mated: 10MΩ min. at 150V DC.
  - Dielectric withstand voltage:
    - 150V AC/60s(mated), 250V AC/60s(unmated).
- IR Reflow:
 

The peak temperature on board shall be maintained for 10 seconds at 260±5°C.
- Operating temperature range: -35°C~105°C(without loss function).
- All parts RoHS and Reach compliant.



Recommended P.C.B Layout (Top View)  
(Tolerance: ±0.05mm)



深圳市华宇创精密电子有限公司

<b>TOLERANCE:</b> X.X ±0.30 X.XX ±0.25 X.XXX ±0.15 X: ±2° X.X° ±0.5°	<b>DRAWN BY :</b> 陈一鸣	<b>DATE :</b> 2014-02-23	<b>PART NAME:</b> MINI DP SMT式母座 CH=6.0
	<b>CHECKED BY:</b> 马跃	<b>DATE :</b> 2014-02-23	<b>PART NO.</b> HYC21-MDP20-060
UNIT: mm [inch] SCALE:1:1 SIZE: A4	<b>APPROVED BY:</b> 邱敏	<b>DATE :</b> 2014-02-23	<b>DRAW NO:</b> HYC-2110200934
			<b>SHEET NO.</b> 1 OF 1